

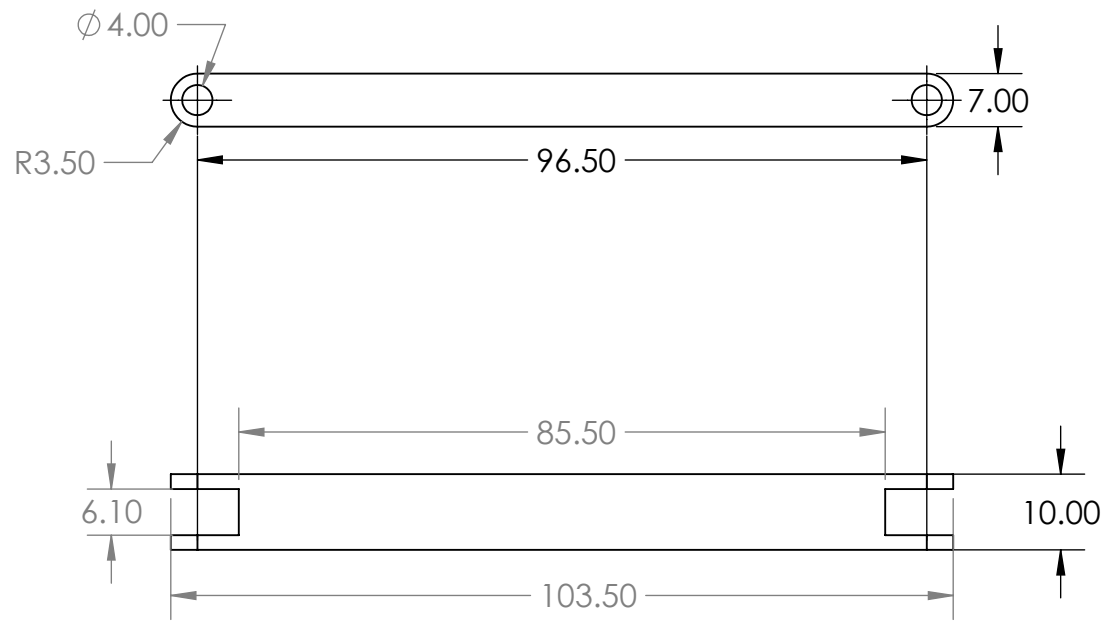
TITLE:		
Press Lever Arm		
UNITS: mm		REV
SCALE: 1:2	WEIGHT:	SHEET 1 OF 1

2

1

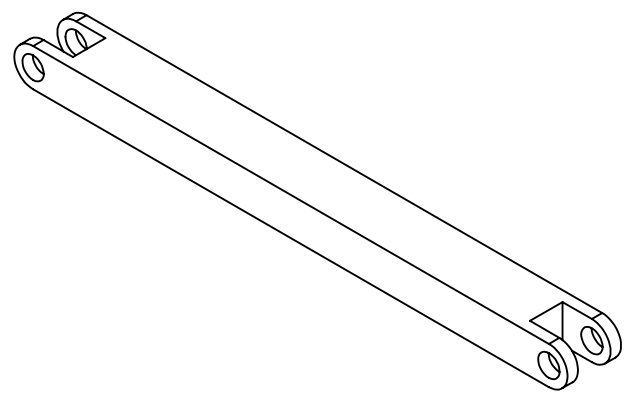
B

B



A

A



TITLE:	
Press Lever Arm 2	
UNITS: Millimeters	REV
SCALE: 1:1	SHEET 1 OF 1

2

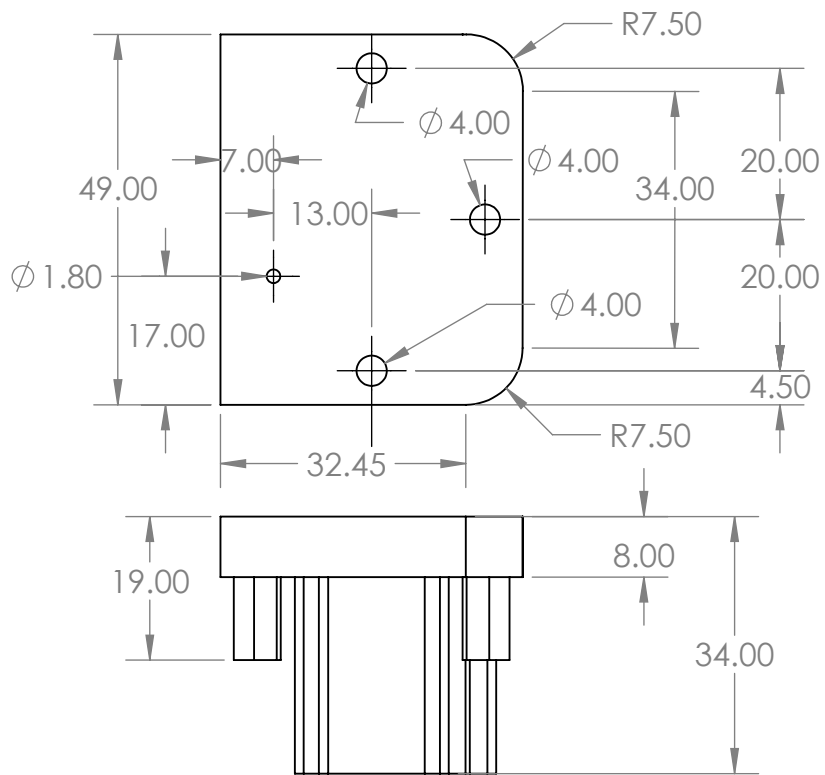
1

2

1

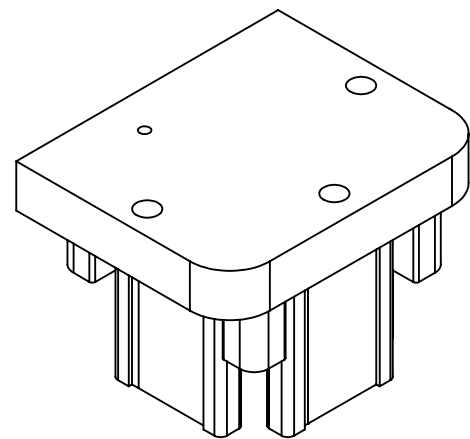
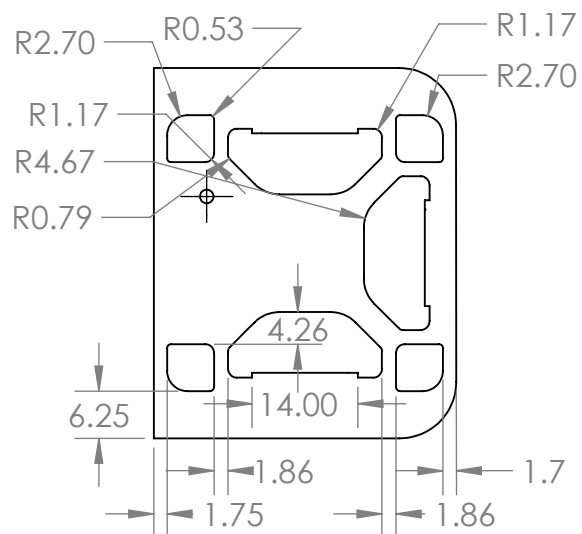
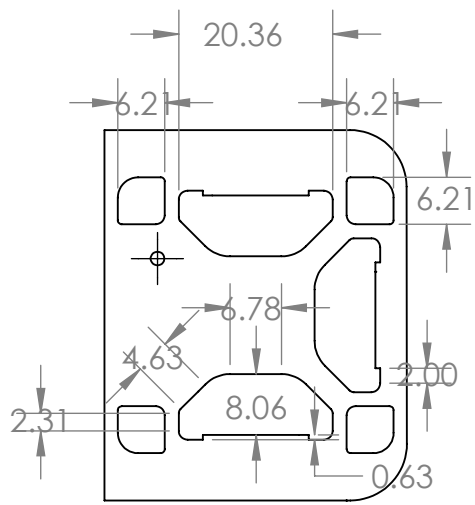
B

B



A

A



TITLE:

Press Top Cap

UNITS: mm

REV

SCALE: 1:1

WEIGHT:

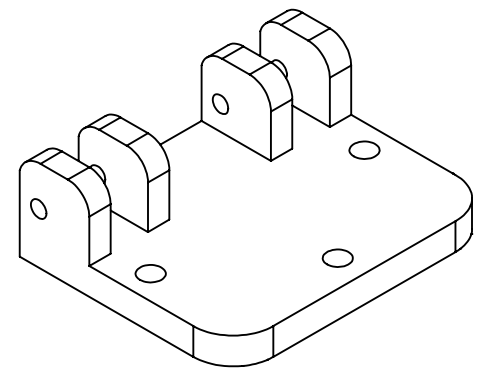
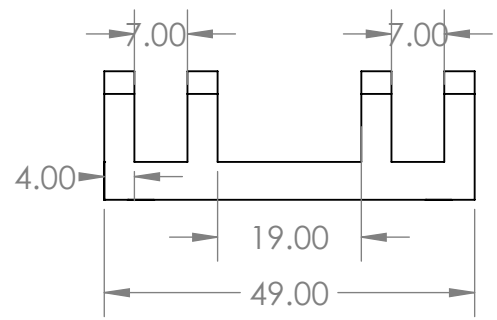
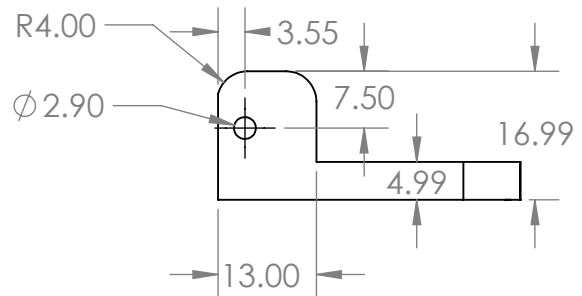
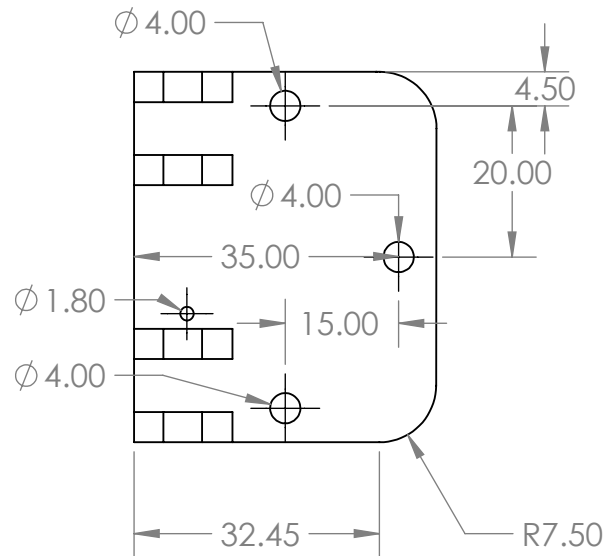
SHEET 1 OF 1

2

1

2

1



B

B

A

A

TITLE:		
Top Hinge		
UNITS: mm		REV
SCALE: 1:1	WEIGHT:	SHEET 1 OF 1

2

1

2

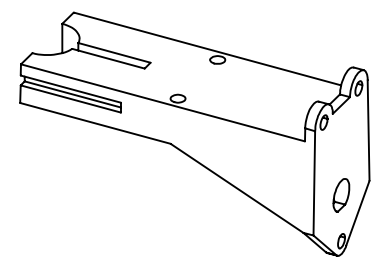
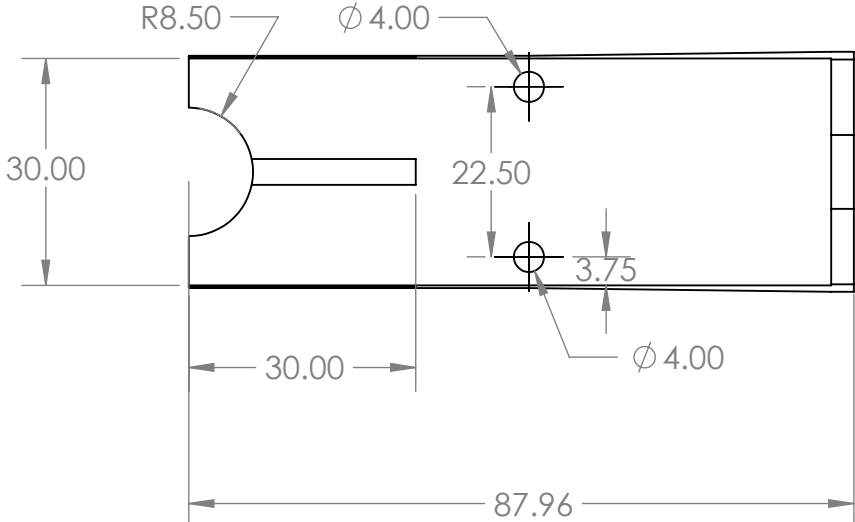
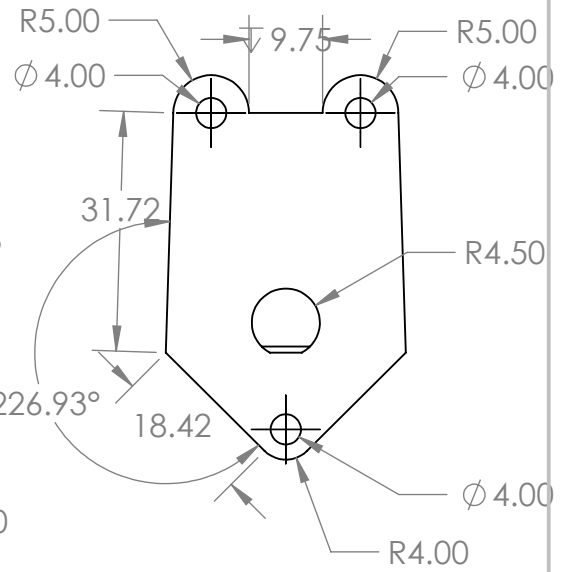
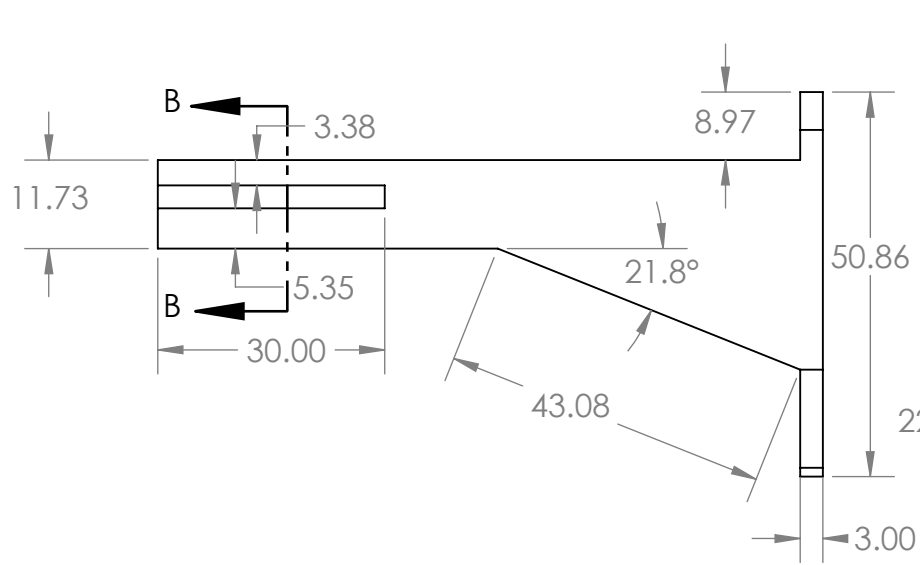
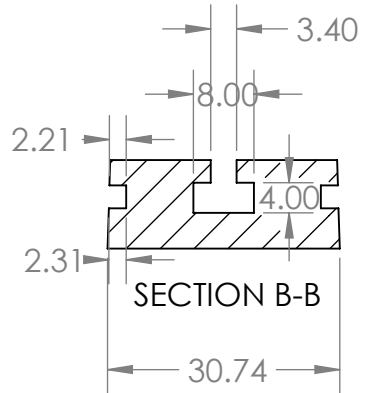
1

B

B

A

A

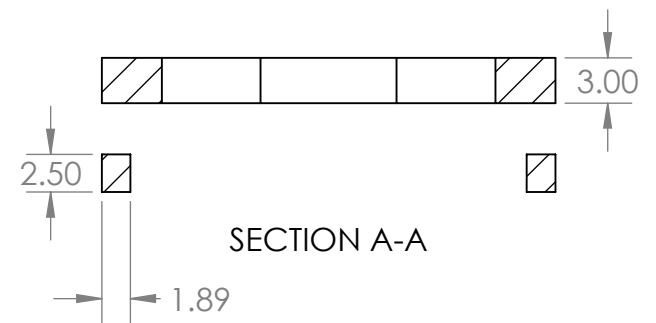
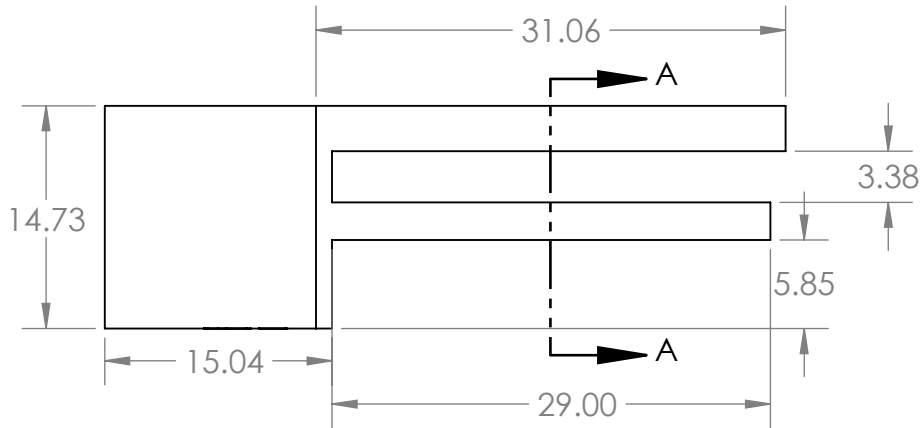


TITLE:		
Press Arm		
UNITS: mm		REV
SCALE: 1:1	WEIGHT:	SHEET 1 OF 1

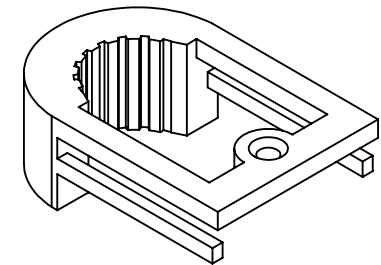
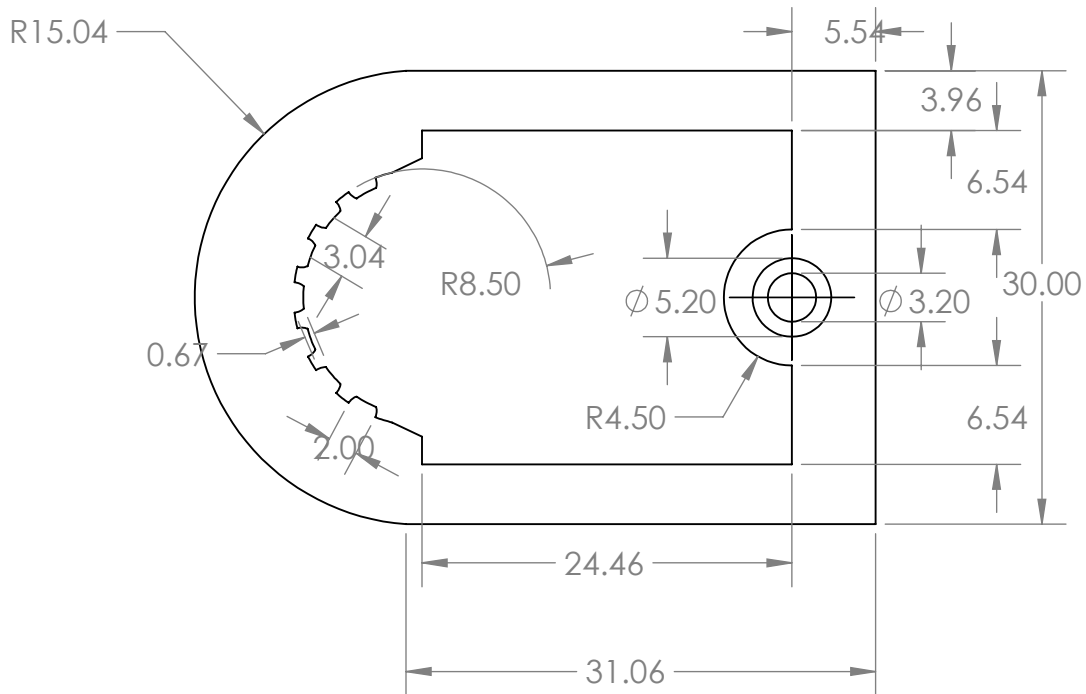
2

1

B



B



A

TITLE:		
Press Front Clamp		
UNITS: mm		REV
SCALE: 2:1	WEIGHT:	SHEET 1 OF 1

2

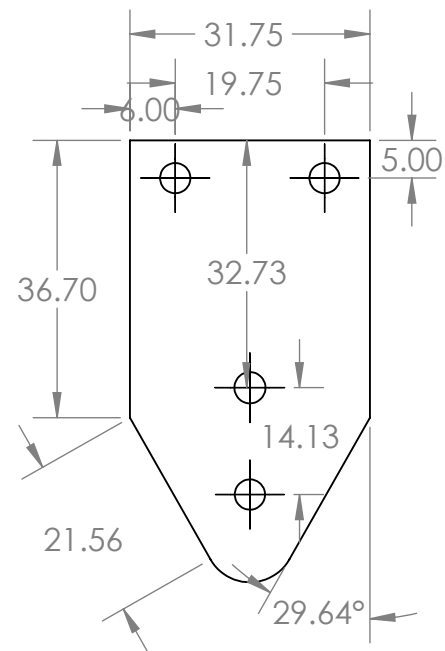
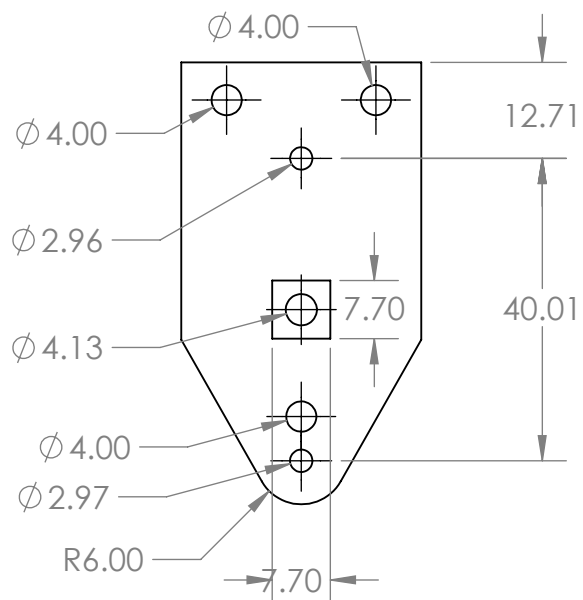
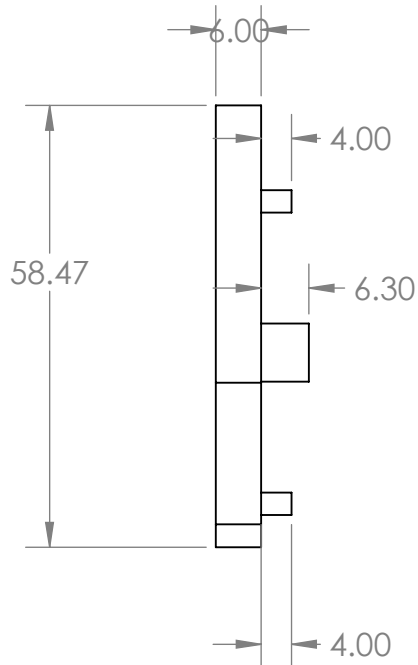
1

2

1

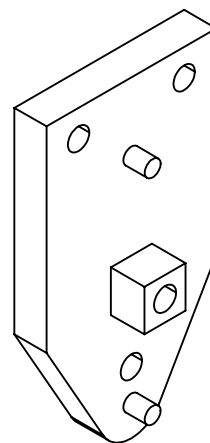
B

B



A

A



TITLE:
Arm Mounting Plate

UNITS: mm

REV

SCALE: 1:1 | WEIGHT: | SHEET 1 OF 1

2

1